

SPALDING®

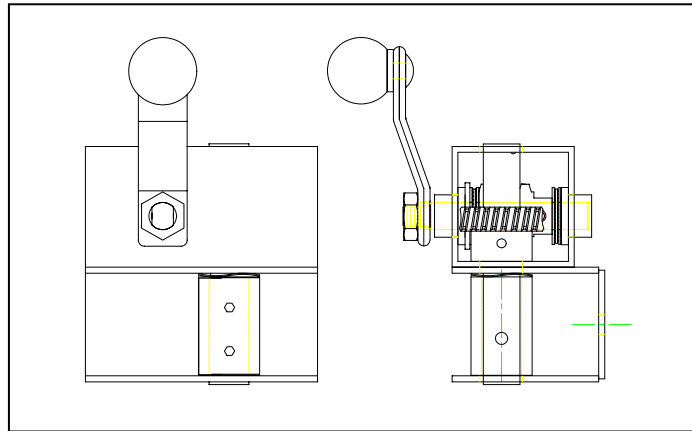
**Worm Gear Winch
Model # 438-380**

SPALDING SPECIFICATIONS

DATE: 01/01/06

MODEL NUMBER: 438-380

DESCRIPTION: WORM GEAR WINCH



CONSTRUCTION:

Winch: The winch shall have a 20:1 gear ratio, a heavy-duty steel frame, and a custom-molded plastic cover. The winch shall attach to the standard upright and shall contain a nylon leader strap with steel cable to attach to the net. Finished components shall be electro-statically powder coated.

OPTIONS:

Model 0438380 attaches directly to upright structure.
Model 0438383 shall contain an attached slide collar.

SHIPPING WEIGHT:

0438380: 6 lbs.
0438383: 9 lbs.