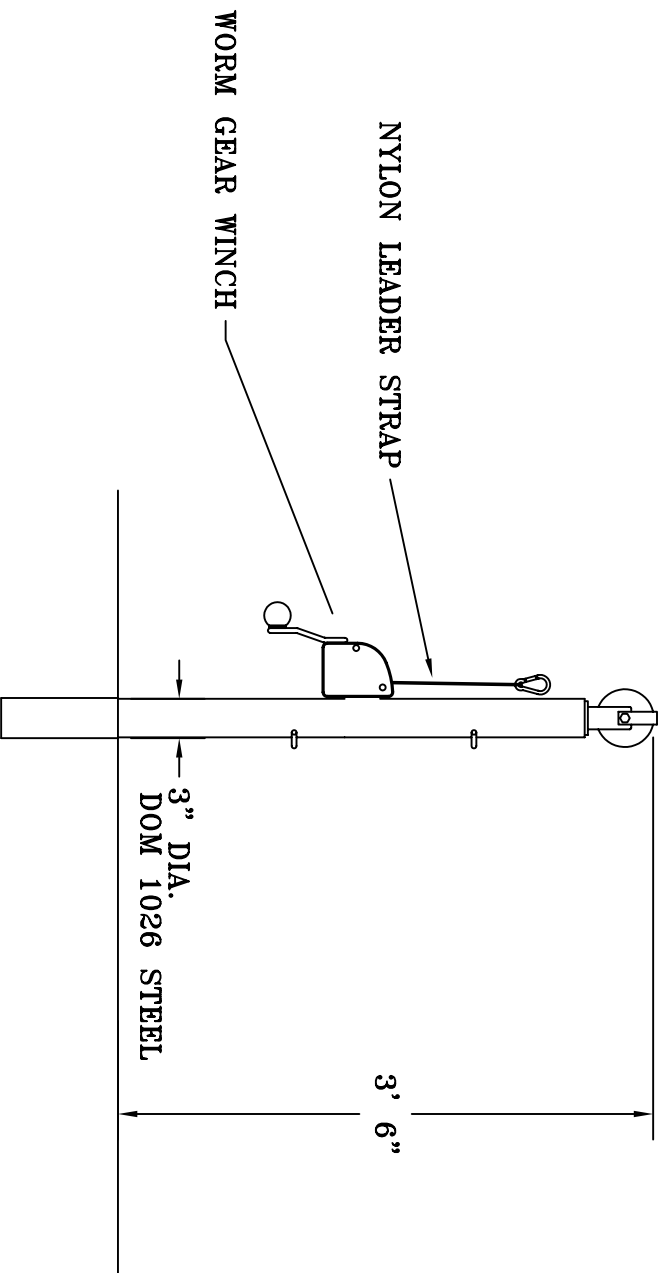


SPALDING®

**Tennis End Upright
Model # 438-371**

****FOR USE WITH 408370 WHEN USED FOR 2 COURT PLAY**



TENNIS SYSTEM END STANDARD

DO NOT SCALE

SCG #0438371



SPALDING SPECIFICATIONS

DATE: 01-05-06

MODEL NUMBER: 438-371

DESCRIPTION: Tennis End Upright

GENERAL DIMENSIONS: Spalding's tennis systems upright are 3" (76mm) in diameter and have a fixed net height of 3'-6" (1030mm). The tennis system includes two uprights and a worm gear winch. A net and floor plates are needed for a complete system.

CONSTRUCTION:

Uprights: Each upright shall be manufactured from 1020 steel tubing with a 3" (76mm) O.D. and a 7/32" (5.5mm) wall thickness. Each assembled upright shall be 48" (1220mm) long and shall be finished with a baked navy powder coat. A rubber foot shall be attached to the bottom of the upright to prevent floor damage when the upright is set on the floor. One upright shall have a pulley attached to the top for attachment of the net to the tensioning winch. The opposite upright shall have rivets welded to the top of the piston for attachment of the cable loop from the opposite end of the net.

Winch: The net shall be tensioned by way of a worm gear winch. The winch shall attach to the standard with the pulley and shall have a nylon leader strap and steel cable to attach to the net.

Shipping weight: 62 lbs.

