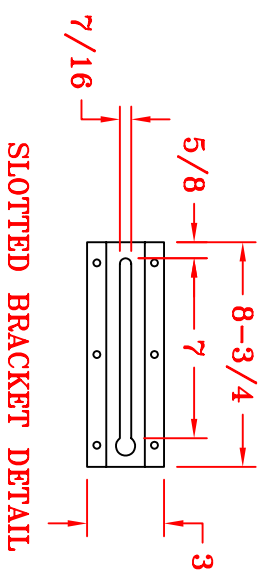
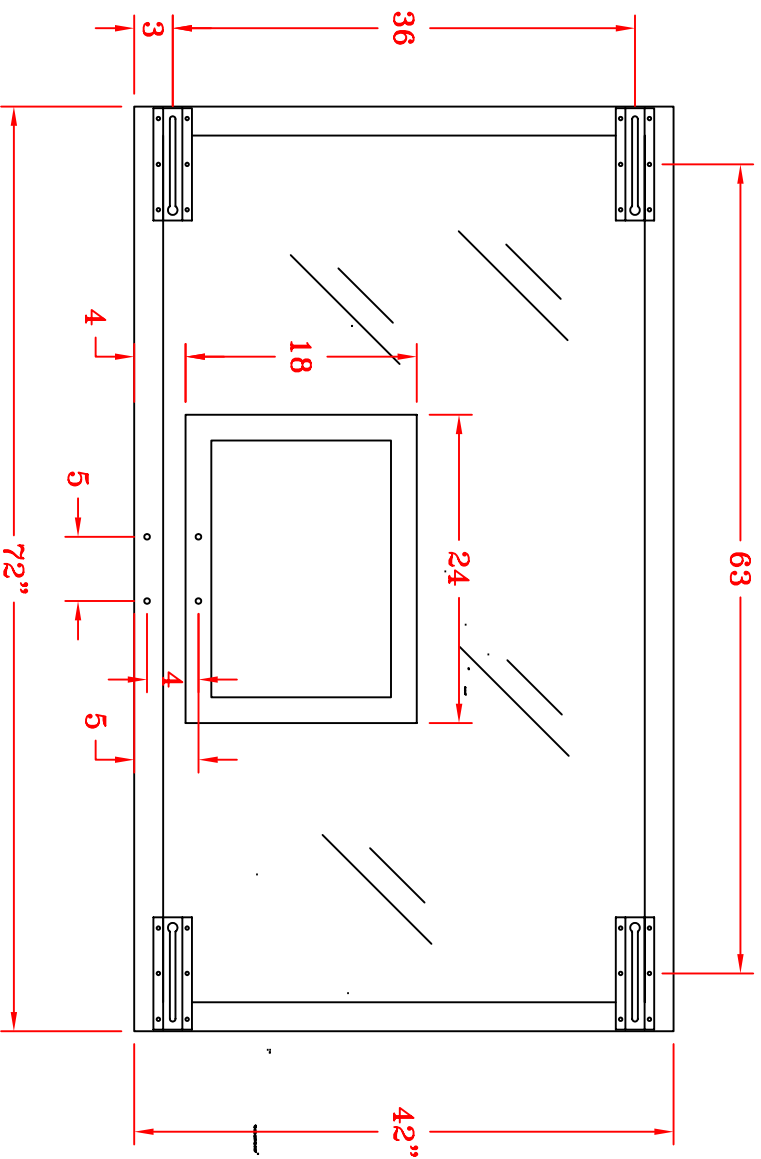


# **SPALDING®**

**Fiberglass sb Backboard  
Model # 413-051**



# FIBERGLAS BACKBOARD

DO NOT SCALE

PART# 0413051



# SPALDING SPECIFICATIONS

DATE: 01/01/06

**MODEL NUMBER:** 413051

**DESCRIPTION:** Fiberglass Backboard

## **SPECIFICATIONS:**

Backboard shall have a finished regulation size of 42" x 72".

Backboard shall be made of a 1-1/8" thick high density thermally fused panel with 3 layers of fiberglass on the face of the backboard and 2 layers of fiberglass on the back. Backboard is hand laminated for added strength.

The entire board shall be finished and sealed with Gel Coat sealant to provide a moisture-proof barrier for a weather resistant backboard.

The target and border are impregnated into the resin.

The mounting holes shall be drilled to match mounting pattern of existing structure. The goal mounting pattern shall be 5" x 4".

The board shall have a 10-year warranty on outdoor use. The warranty is extended to lifetime for indoor use with direct mounts. Practice, game, intramural and recreational play are covered, supervised or unsupervised. Vandalism and acts of Nature are not covered.

**SHIPPING WEIGHT:** 130 lbs.