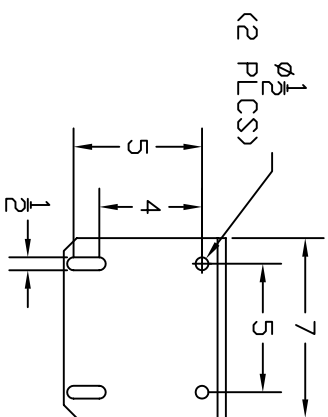
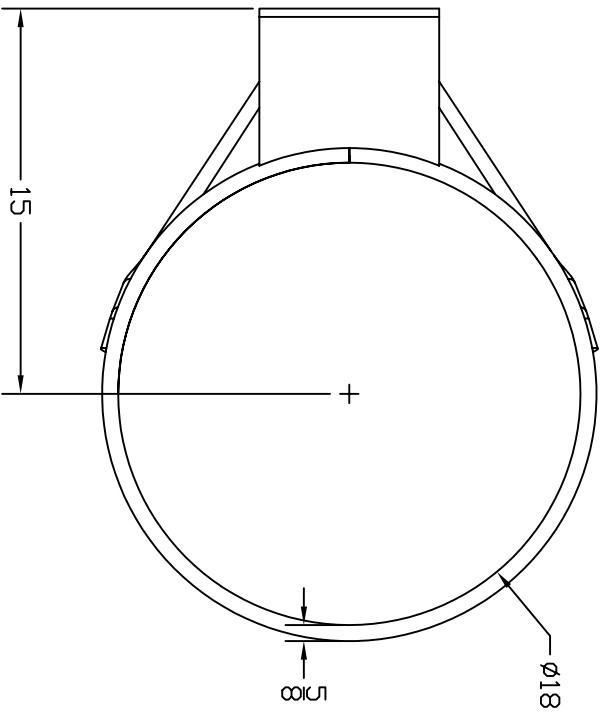
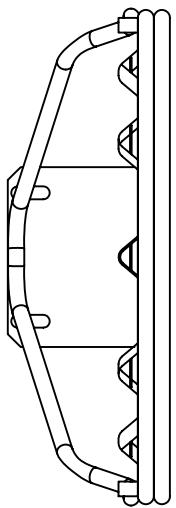
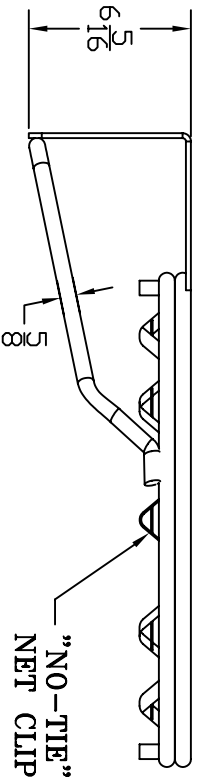


SPALDING®

Roughneck Gorilla Goal II
Model # 411-557



GOAL MOUNTING PATTERN



ROUGHNECK GORILLA II GOAL

DO NOT SCALE

MODEL # 0411557



SPALDING SPECIFICATIONS

DATE: 01/01/06

MODEL NUMBER: 411557

DESCRIPTION: Roughneck Gorilla Goal II

SPECIFICATIONS:

Fixed rim shall be made of two joined 5/8" round alloy steel rings. Each ring is to have an 18" inside diameter.

Goal shall have 5/8" cold rolled steel braces for superior strength.

Goal shall have "T-Tie" net attachments for heavy duty loads.

Goal shall be electrostatically powder coated orange.

Nylon net and mounting hardware included.

Goal shall have a universal mounting pattern (5" x 5" and 5" x 4") for attachment to any backboard with these mounting dimensions.

Goal shall have an unconditional lifetime warranty. Warranty not valid if used in a way not intended.

Shipping weight: 21 lbs.

[View Spec Print](#)