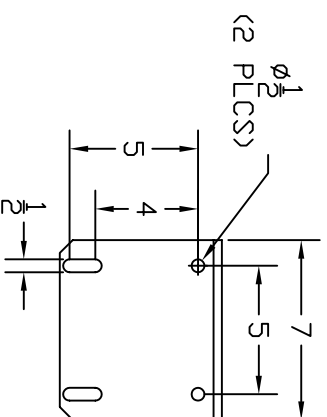
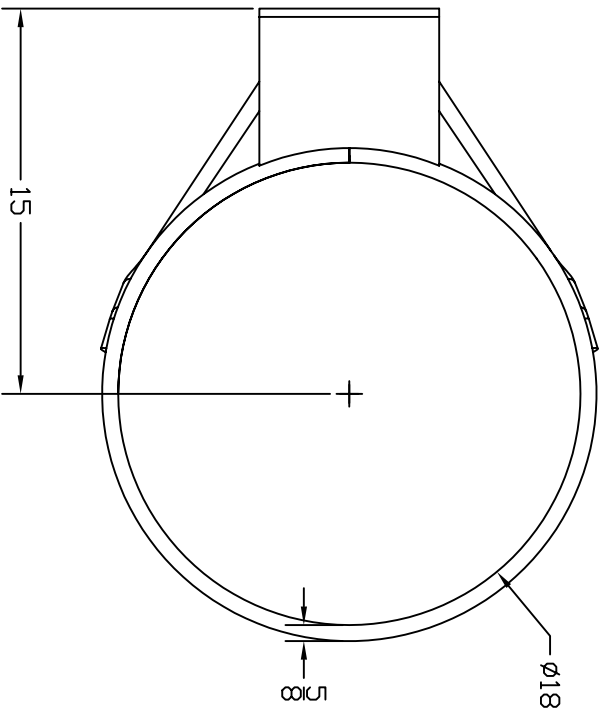
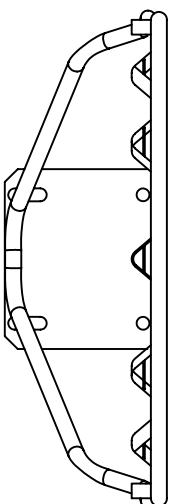
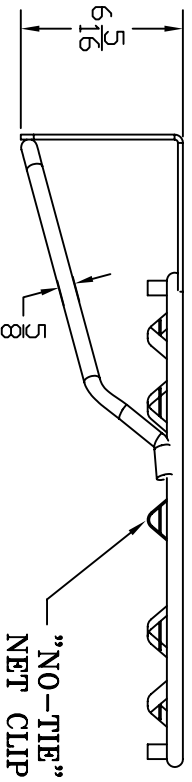


SPALDING®

**Roughneck Gorilla Goal
Model # 411-556**



GOAL MOUNTING PATTERN



ROUGHNECK GORILLA GOAL

DO NOT SCALE

MODEL # 0411556



SPALDING SPECIFICATIONS

DATE: 01/01/06

MODEL NUMBER: 411556

DESCRIPTION: Roughneck Gorilla Goal

SPECIFICATIONS:

Fixed rim shall be made of 5/8" round alloy steel to make an 18" inside diameter ring.

Goal shall have 5/8" cold rolled steel braces for superior strength.

Goal shall have "T-Tie" net attachments for heavy duty loads.

Goal shall be electrostatically powder coated orange.

Nylon net and mounting hardware included.

Goal shall have a universal mounting pattern (5" x 5" and 5" x 4") for attachment to any backboard with these mounting dimensions.

Goal shall have an unconditional lifetime warranty. Warranty not valid if used in a way not intended.

Shipping weight: 16 lbs.

[View Spec Print](#)