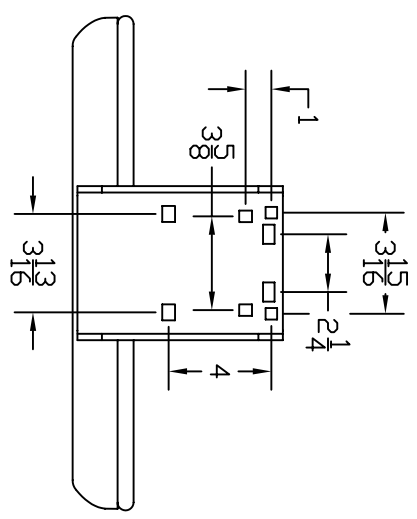
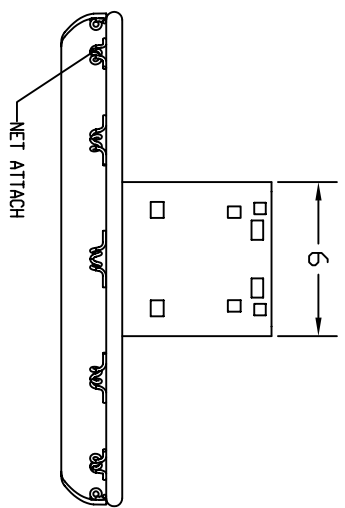
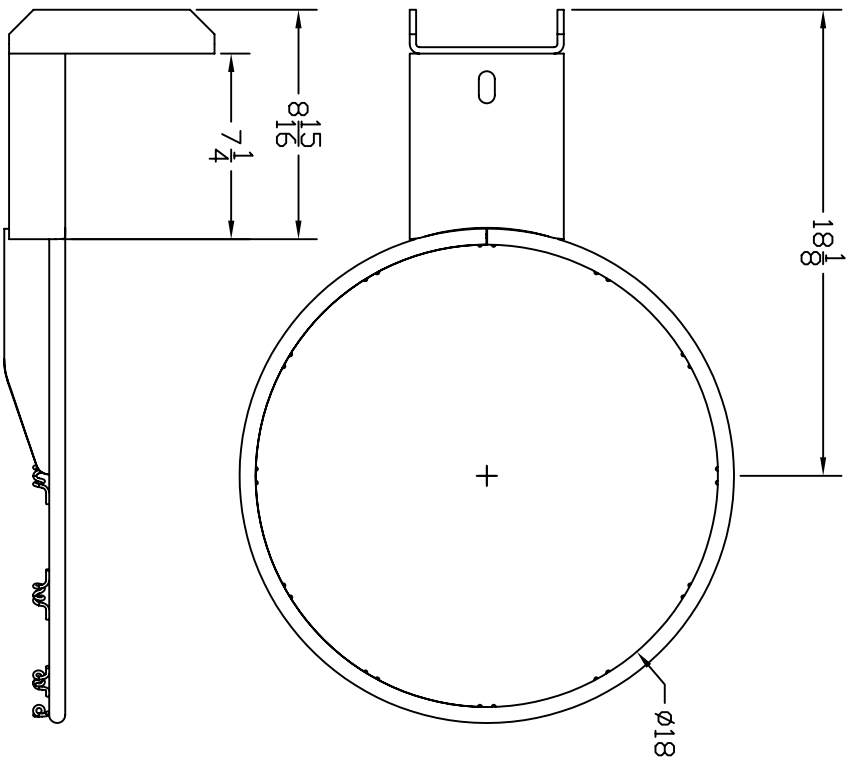


SPALDING®

**Hercules Goal
Model # 411-554**



GOAL MOUNTING PATTERN

Hercules Goal

DO NOT SCALE

Model #0411554



SPALDING SPECIFICATIONS

DATE: 01/01/06

MODEL NUMBER: 411554

DESCRIPTION: Hercules Goal

SPECIFICATIONS:

Fixed rim shall be made of 5/8" round alloy steel to make an 18" inside diameter ring.

Goal shall have a wrap around brace over 50% of the ring circumference for maximum strength.

"Ram horn" style ties for easy net installation.

Goal shall be electrostatically powder coated orange.

Nylon net and mounting hardware included.

Universal mounting pattern. Intended for rear mount systems.

The goal shall have a 2-year warranty, not valid if used in a way not intended.

Shipping weight: 20 lbs.

[View Spec Print](#)