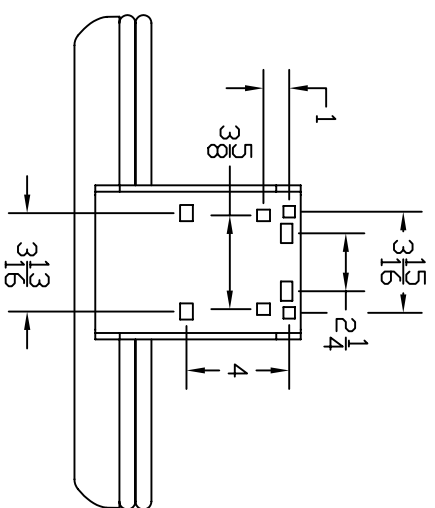
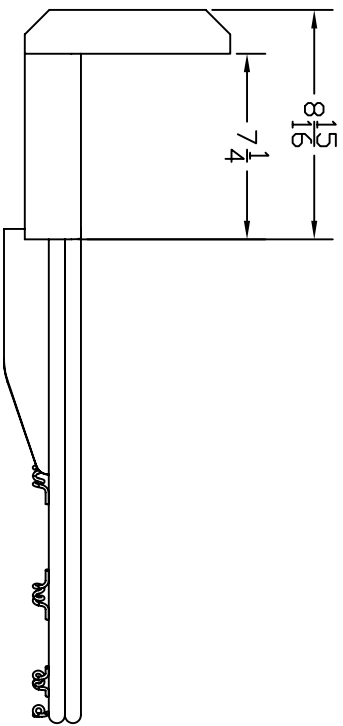
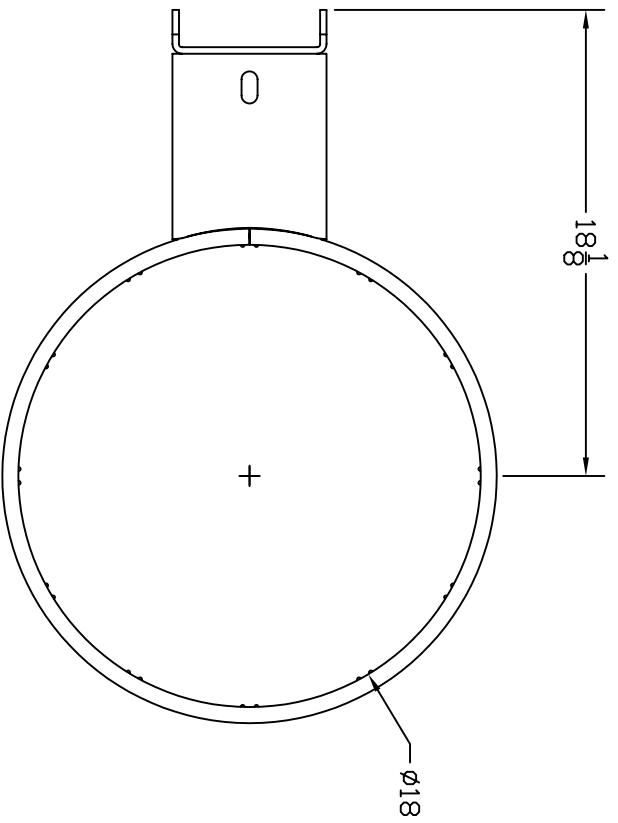
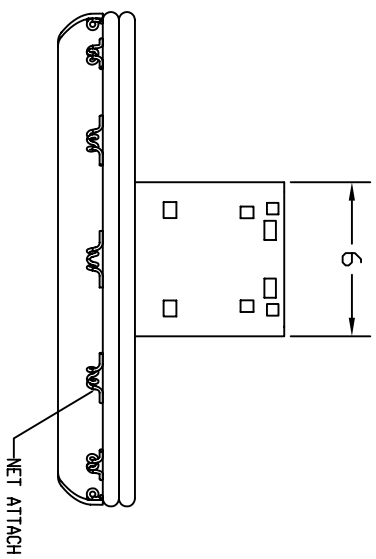


SPALDING®

**Hercules II Goal
Model # 411-552**



GOAL MOUNTING PATTERN



Hercules II Goal

DO NOT SCALE

Model #0411552



SPALDING SPECIFICATIONS

DATE: 01/01/06

MODEL NUMBER: 411552

DESCRIPTION: Hercules II Goal

SPECIFICATIONS:

Fixed rim shall be made of two joined 5/8" round alloy steel rings. Each ring is to have an 18" inside diameter.

Goal shall have a wrap around brace over 50% of the ring circumference for maximum strength.

"Ram horn" style ties for easy net installation.

Goal shall be electrostatically powder coated orange.

Nylon net and mounting hardware included.

Universal mounting pattern. Intended for rear mount systems.

The goal shall have a 2-year warranty, not valid if used in a way not intended.

Shipping weight: 25 lbs.

[View Spec Print](#)