

SPALDING SPECIFICATIONS

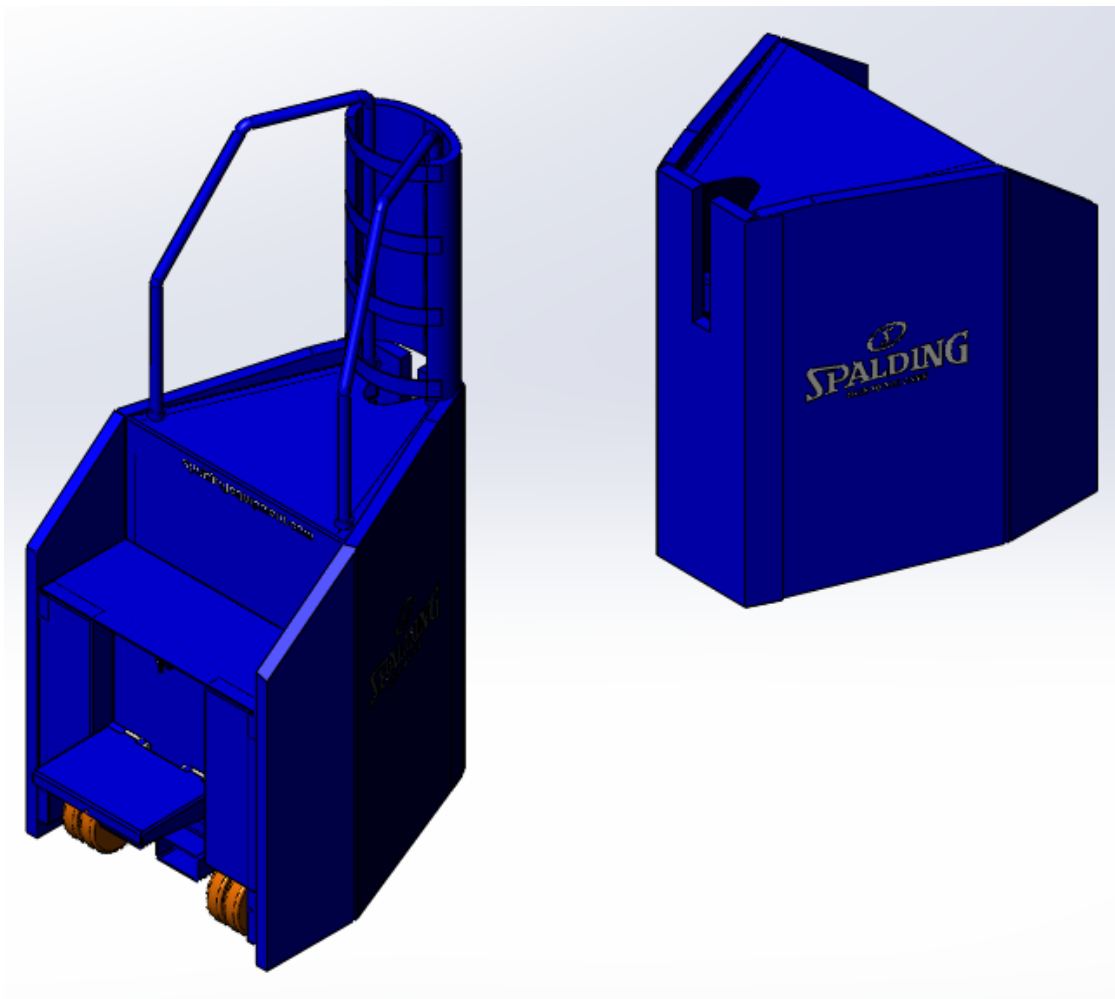
DATE: 1/30/13

MODEL NUMBER: 438150

DESCRIPTION: Portable Volleyball Units

SPECIFICATIONS:

The portable volleyball units are made of 1-1/2 x 4 rectangle steel, formed sheet metal, and heavy wall round DOM tubing. The units have four 2x8 wheels on the back and a 2x4 swivel caster on the front. The units can be raised using a 3500 lb. jack in the front for moving into position. When lowered for play the front rests on two 6" long EDPM extrusions to keep from moving. The units come complete with 800 lbs. of steel ballast which helps keep the units in place. The units come as pairs with a non ref side and a ref side. The ref side includes a step that can be folded up for storage and two rails. The units can be used with most Spalding uprights without modification. When using a full size upright the height markings will not be correct since the upright is not in the floor. The units come complete with padding on the sides and front. A net bag is included to store the net when not in use.



Shipping Information: 2460lbs.

