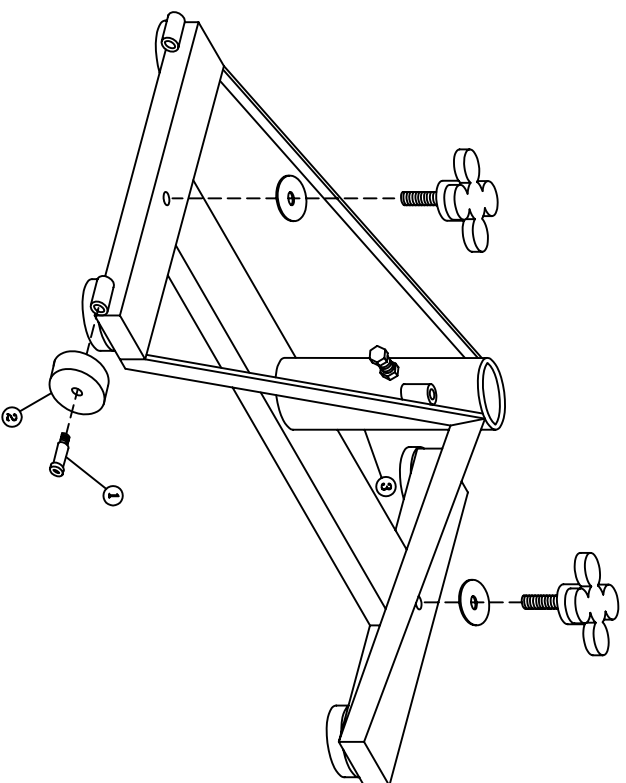


SPALDING®

T-Bases for Steel Volleyball Systems

Model # 438-319



KEY	PART NO.	DESCRIPTION	QTY
1	0020681	1/2 X 1-5/8 SHOULDER BOLT	2
2	0030450	2-1/2 DIAMETER TRANSPORT WHEEL	2
3	0048530	CENTER BASE WELDMENT	1

T-BASE CENTER BASES - EACH

DO NOT SCALE

SCG #0438319



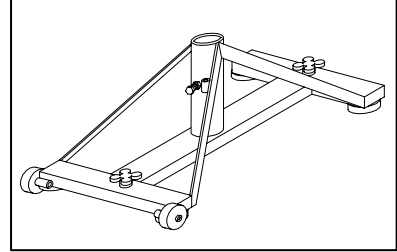
SPALDING SPECIFICATIONS

DATE: 01/01/06

MODEL NUMBER: 438-319

DESCRIPTION: T-Base Center for Steel Volleyball Systems

GENERAL DIMENSIONS: The Spalding T-Base Center works only with multi-court Spalding Steel Volleyball Systems to allow volleyball play on floors where "B", "BX", "C" or "E" plates can be installed, but volleyball sleeves cannot. The steel volleyball uprights can be set up at regulation men's and women's heights while in the T-Bases. The T-Base center consists of a braced weldment that attaches to the floor with two 1/2" (13mm) anchors. The volleyball upright installs into the sleeve on the base and is secured in the sleeve with a 1/2" (13mm) hex head screw.



CONSTRUCTION: The T-Base center is constructed of a sleeve, bases and brace rods. The sleeve shall be 3-1/2" O.D. x 7/32 wall (89mm x 5.5mm) steel tubing, 12" (305mm) long. The extension of the base is 4" x 1-1/2" (102mm x 38mm) rectangular steel tubing and the ends of the base are 3" x 1-1/2" (76mm x 38mm) steel tubing. The sleeve shall be braced with 1/4" x 1-1/4" flat steel braces rods, to prevent excess movement of the upright. Each base center shall have four (4) non-marking rubber footpads and shall have two (2) 2-1/2" (63mm) transport wheels for moving the uprights. The bases are finished with a baked navy powder coat.

The base center is fixed to the floor using two (2) anchor bolts that thread into 1/2" (13mm) floor plates.

Shipping weight: 51 lbs.