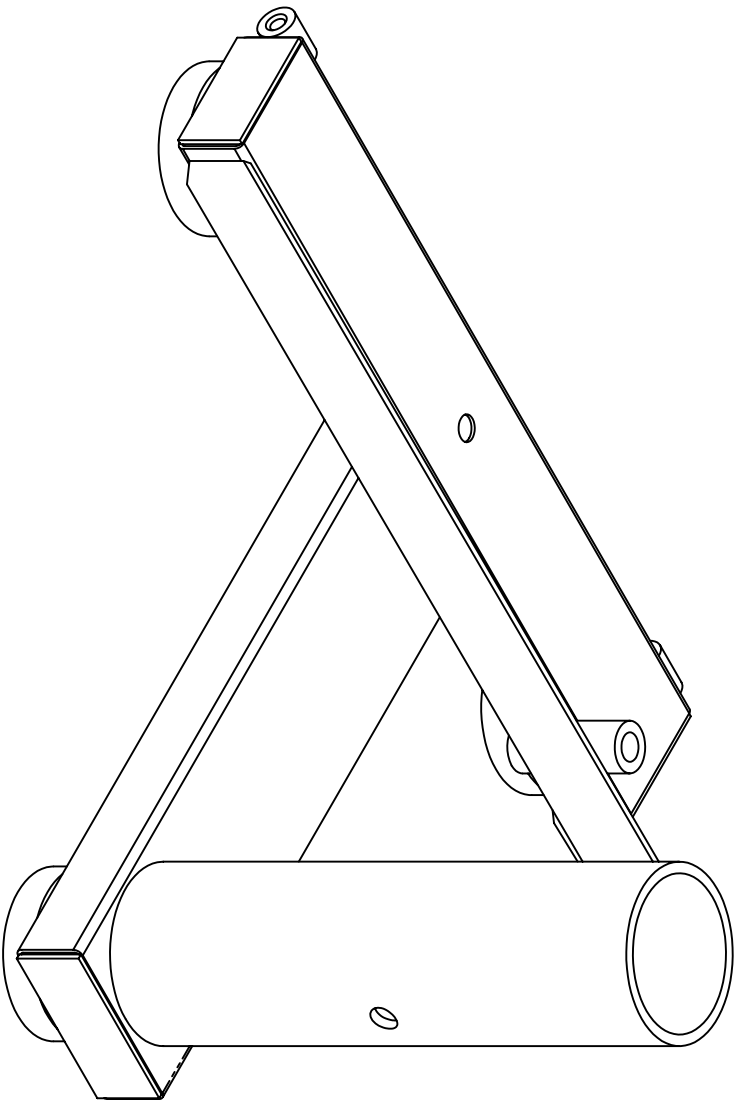


SPALDING®

T-Bases for Steel Volleyball Systems

Model # 438-318



T-BASE END BASES - PAIR

DO NOT SCALE

SCG #0438318



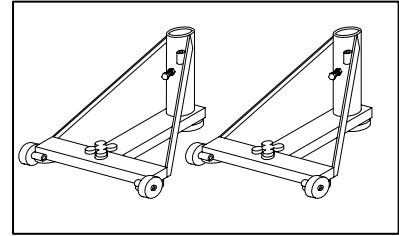
SPALDING SPECIFICATIONS

DATE: 01/01/06

MODEL NUMBER: 438-318

DESCRIPTION: T-Bases for Steel Volleyball Systems

GENERAL DIMENSIONS: The Spalding T-Bases work only with Spalding Steel Volleyball System to allow volleyball play on floors where "B", "BX", "C" or "E" plates can be installed, but volleyball sleeves cannot. The steel volleyball uprights can be set up at regulation men's and women's heights while in the T-Bases. The T-Bases consist of a pair of braced weldments that attach to the floor with 1/2" (13mm) anchors. The volleyball uprights install into the sleeve on the bases, and are secured in the sleeve with a 1/2" (13mm) hex head screw.



CONSTRUCTION: The T-Bases are constructed of a sleeve, bases and brace rods. The sleeve shall be 3-1/2" O.D. x 7/32 wall (89mm x 5.5mm) steel tubing, 12" (305mm) long. The extension of the base is 4" x 1-1/2" (102mm x 38mm) rectangular steel tubing and the end of the base is 3" x 1-1/2" (76mm x 38mm) steel tubing. The sleeves shall be braced with 1/4" x 1-1/4" flat steel braces rods, to prevent excess movement of the uprights. Each base shall have three non-marking rubber footpads and shall have two (2) 2-1/2" (63mm) transport wheels for moving the uprights. The bases are finished with a baked navy powder coat.

Each base is fixed to the floor using one (1) anchor bolt that thread into a 1/2" (13mm) floor plate.

Shipping weight: 56 lbs.