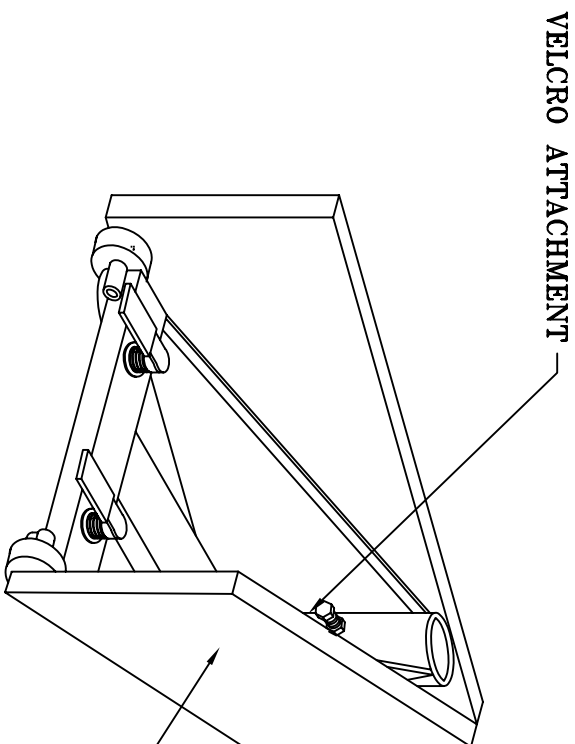


# **SPALDING®**

**T-Base End Pads  
Model # 438-120 & 438-121**

COLORS AVAILABLE:

MODEL #	COLOR
0438120	RED
0438121	BLUE
SPECIAL	YELLOW
SPECIAL	TAN
SPECIAL	GREEN
SPECIAL	WHITE
SPECIAL	GRAY
SPECIAL	BLACK
SPECIAL	MAROON
SPECIAL	GOLD
SPECIAL	ORANGE
SPECIAL	POOL BLUE



1-3/8" CROSS-LINKED POLYETHYLENE  
WITH 14 OZ VINYL COVER

"T" BASE END PADS

DO NOT SCALE

SCG #0438120/0438121

**SPALDING**<sup>®</sup>

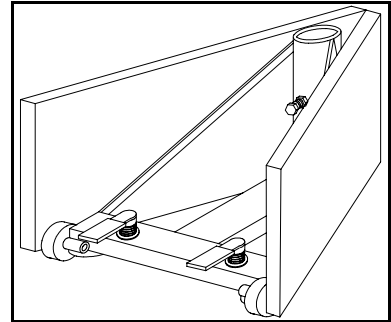
# SPALDING SPECIFICATIONS

DATE: 01/01/06

**MODEL NUMBER:** 438-120 & 438-121

**DESCRIPTION:** T-Base End Pads

**GENERAL DIMENSIONS:** T-Base End Pads are designed for use with the Spalding model 438-318 T-Base Ends used with installations of T-Base volleyball systems. The pads protect the players from collisions with the surfaces of the bases and conform to the shape of the base.



**CONSTRUCTION:** The T-Base end pads consist of two pads that Velcro to the bases to pad the T-base ends. A pad set consists of two end pads. Each end pad shall consist of two rectangular foam pieces in a folding vinyl cover.

**Foam filler:** The foam shall be 1-3/8" (35mm) thick that is 26" (660mm) wide and 13-1/2" (343mm) high. The foam shall be cross-linked polyethylene with a density of 2.0 lb/ft<sup>3</sup> (32kg/m<sup>3</sup>) and tensile strength of 34.7 psi (0.24N/mm<sup>2</sup>).

**Vinyl cover:** The cover material of the pads shall be a vinyl laminated polyester fabric with a 10 x 10 scrim and a finish weight of 14 oz. per square yard. The fabric contains anti-fungal and antibacterial agents and is easily cleaned using mild soap and water. The fabric must show 100% kill in the cidal test. The cover fabric meets the National Fire Protection Standard 701. All seams are stitched with nylon thread for durability. The thread used is a monocord N-200 UVR that has 16 strands of fused 80 denier nylon.

Shipping weight: 20 lbs.