

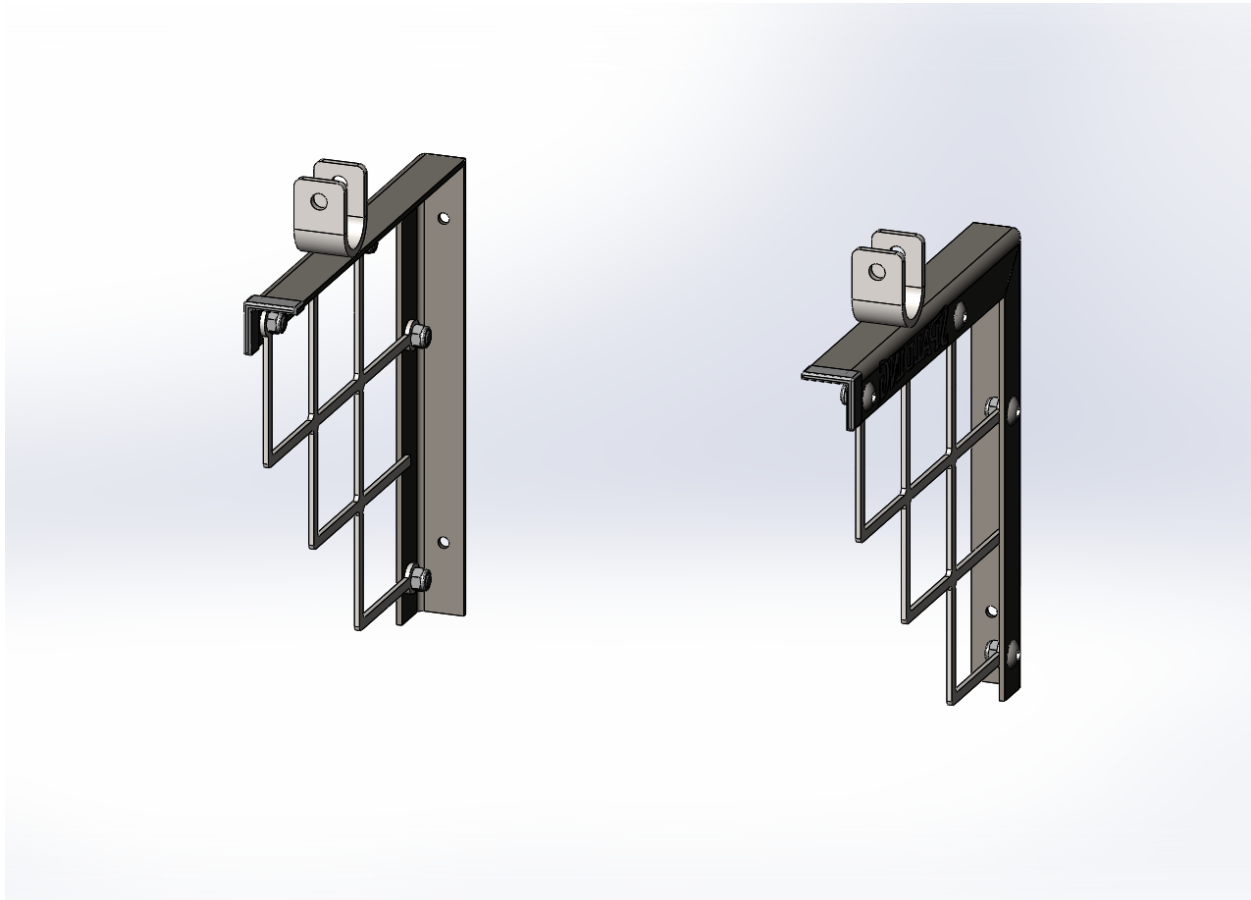
SPALDING SPECIFICATIONS

DATE: 3/26/13

MODEL NUMBER: 438133

DESCRIPTION: net winder wall mounts

SPECIFICATIONS: The wall mounts are constructed using a formed and welded A36 steel with a laser cut web as a reinforcement. The wall mounts are designed to be used with the Spalding net winder. The wall mounts are powder coated for long life.



Shipping Information: 12 x 12 x 4—6lbs.

