

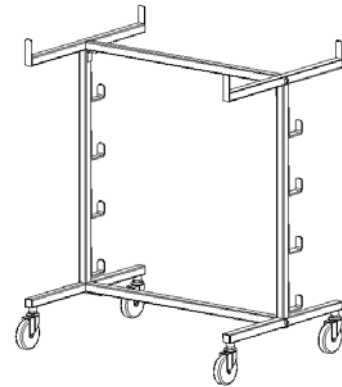
SPALDING SPECIFICATIONS

DATE: 11/5/08

MODEL NUMBER: 438127

DESCRIPTION: FSVB Equipment Cart

GENERAL DIMENSIONS: This equipment cart is specifically designed to hold all models of Spalding volleyball uprights, nets, free standing referee platforms, and pads. The cart consists of four sets of pole catches for holding the volleyball uprights, arms to support referee platforms and pads, and room to store volleyball antennae and nets.



CONSTRUCTION: The equipment cart is a bolt together structure consisting of two upright arms and two shared bars that connect the arms. On the upright arms are pole catches for holding volleyball standards and four arms for holding the free standing referee platform and upright pads. The entire structure is constructed of 1-1/2" (38 mm) square steel tubing with a 11 gauge (2.95 mm) wall, the eight pole catches are constructed of 1/4" x 1-1/4" (6 mm x 32 mm) flat steel plate and have 3M Safety Walk™ on the surface to prevent damaging the standards. There are 3/16" (5 mm) catches on the ends of the arms to prevent equipment from sliding off the cart. The overall dimensions of the assembled cart are 31" wide x 43" long x 49 "high (787 mm x 1092 mm x 1245 mm). The cart moves on four (4) heavy duty 5" (127 mm) casters, two of which have dual locking capabilities. The cart is finished in a baked Spalding Blue powder coat.

SHIPPING INFORMATION:

1 package - 60 lb (27 kg), 35" x 6" x 48" (889 mm x 152 mm x 1219 mm), 5.83 CF