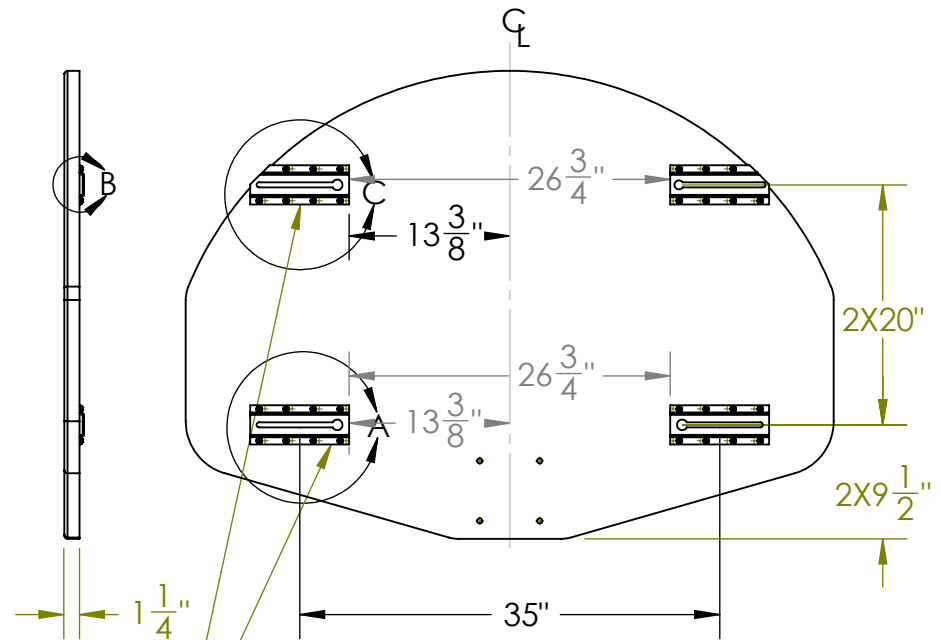
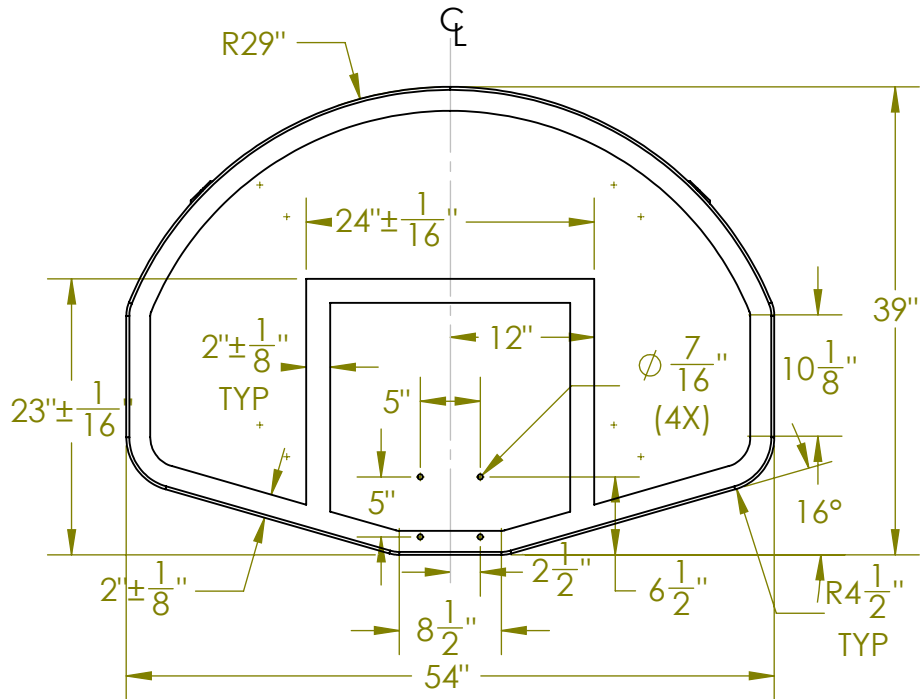
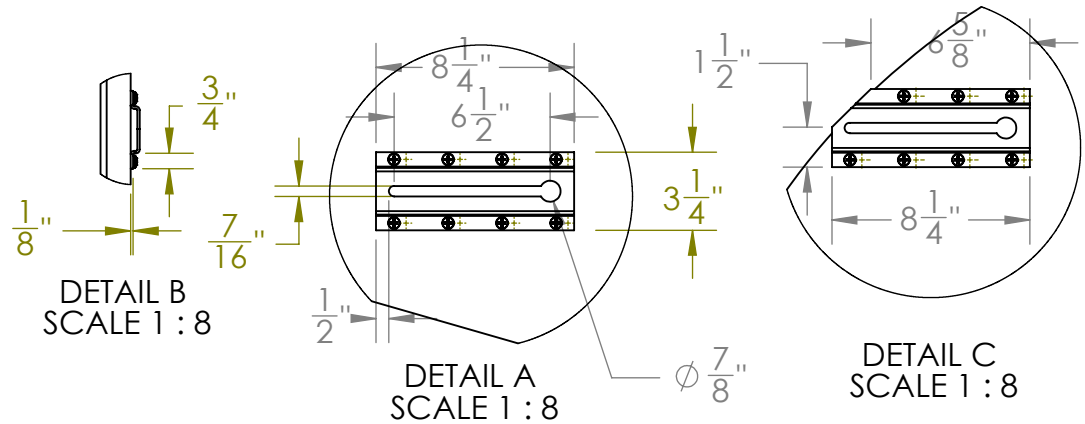


PART TO BE DELIVERED
COMPLETELY ASSEMBLED WITH BOX FOR SHIPPING

WHITE BACKBOARD WITH ORANGE BORDER
AND TARGET. BORDER IS 2" WIDE AND
TARGET IS 2" WIDE

TOLERANCES ARE +/- 1/32 UNLESS CALLED OUT.



PART TO BE GEL COATED

BRACKETS MUST BE PARALLEL
WITH RIM MOUNTING HOLES

REV	APPROVED BY	NAME	DATE	COMMENTS
***	***	***	**_**_**	*****
REV	APPROVED BY	NAME	DATE	COMMENTS
***	***	***	**_**_**	*****
REV	APPROVED BY	NAME	DATE	COMMENTS
***	***	***	**_**_**	*****
REV	APPROVED BY	NAME	DATE	COMMENTS
***	***	***	**_**_**	*****

PROPRIETARY AND CONFIDENTIAL
THE INFORMATION CONTAINED IN THIS
DRAWING IS THE SOLE PROPERTY OF
AMERICAN ATHLETIC INC.. ANY
REPRODUCTION IN PART OR AS A WHOLE
WITHOUT THE WRITTEN PERMISSION OF
AMERICAN ATHLETIC INC. IS PROHIBITED.

MATERIAL	*****
MASS PROPERTIES	LBS.
DIMENSIONS ARE IN INCHES	
TOLERANCES:	
FRACTIONAL	± 1/32"
ANGULAR	± 2°
ONE PLACE DECIMAL	± 0.05
TWO PLACE DECIMAL	± 0.02
THREE PLACE DECIMAL	± 0.005
DRAWN	JLR
DATE	10-04-10

American Athletic Inc.

SIZE **A** DWG. NO. **0050060**

SCALE:1:12 QTY: *** SHEET 1 OF 1