

SPALDING SPECIFICATIONS

DATE: 10/15/09

MODEL NUMBER: 0413583

DESCRIPTION: ARENAPRO 180 GOAL

SPECIFICATIONS:

MATERIAL: Goal is made up of 1018 material and 1045 material with special hardening in critical areas for long life.

ArenaPro 180 Goal has a unique breakaway action that can be adjusted from 125lbs. to over 250lbs. Currently the NBA specification for breakaway is 200lbs. Rims come preset from factory with the 200lbs. breakaway setting and no adjustment is needed.

Goal shall have a universal mounting pattern of 5" x 4" and 5" x 5" standard mounting pattern for attachment to any 42" x 72" or 48" x 72" backboard.

The unique spring pivot mechanism enables breakaway action along 180 degrees of the rings diameter allowing it to breakaway from the sides as well as the front.

Goal also comes with a lower and an upper finger guard cover made of dense foam and rubber which covers areas that might be a potential pinch point.

Factory calibrated to meet collegiate and professional recommendations for rebound elasticity.

Goal shall be electrostatically powder coated orange.

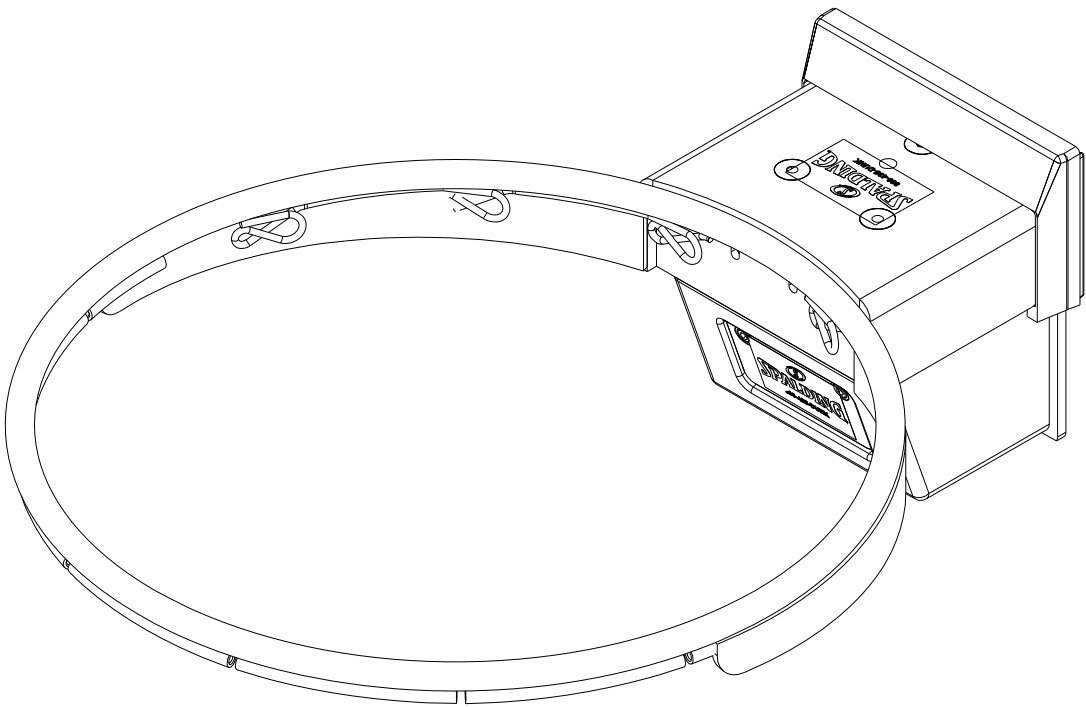
Contains easy glide net tie system.

Includes anti-whip net and mounting hardware.

WARRANTY: The breakaway mechanism and ring shall have a seven-year warranty. Warranty not offered on breakaway goals placed outdoors, or if used in a way not intended including adjusting over the 200lb. breakaway setting.

SHIPPING WEIGHT: 34 lbs.





200 American Ave. • Jefferson, Iowa 50129 • 800.435.3865 • www.spaldingequipment.com