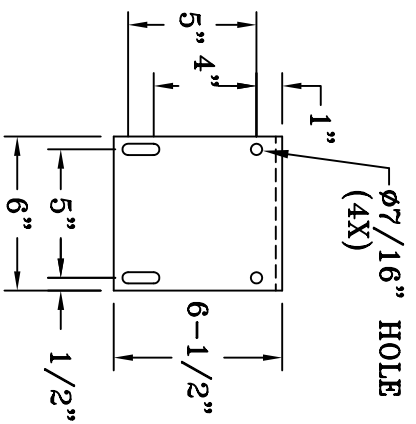
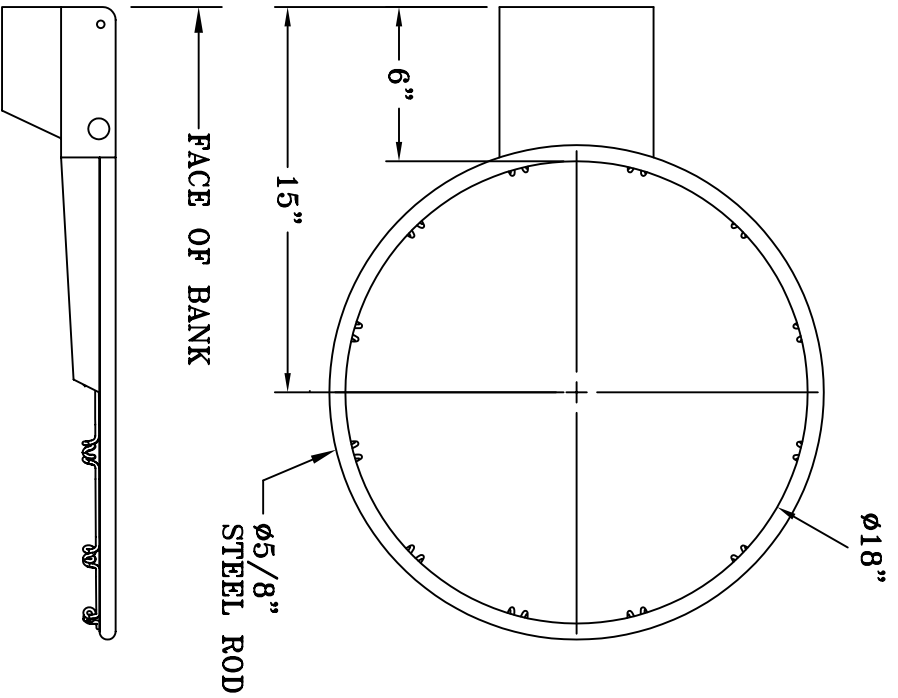
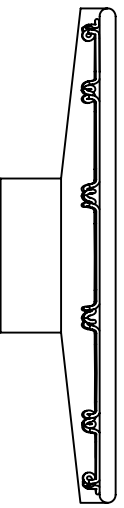


SPALDING®

**Slammer Competitor Goal
Model # 411-508**



GOAL MOUNTING PATTERN



SLAMMER COMPETITOR

DO NOT SCALE

MODEL # 0411508



SPALDING SPECIFICATIONS

DATE: 01/01/06

MODEL NUMBER: 0411508

DESCRIPTION: Slammer Competitor Goal

SPECIFICATIONS:

Goal shall be designed to absorb shock loads due to "dunking" or hanging on the goal.

Goal shall incorporate a positive lock system to automatically release and pivot downward when excessive loads are put on the ring. Goal shall be spring loaded to return to the original position. The goal design shall allow spring preload to be adjusted to compensate for wear.

Rim shall be made of 5/8" cold rolled steel formed to make an 18" inside diameter ring with a 600 lb. bend strength.

Goal shall have a wrap around brace over 50% of the ring circumference for maximum strength.

Mounting hardware and standard net included.

Goal shall have continuous "ram horn" no-ties for easy net installation.

Goal shall have a universal standard mounting pattern (5" x 5" and 5" x 4") for attachment to any backboard with these mounting dimensions.

Goal shall have a 2 year warranty. Covers the breakaway mechanism and ring from defects in workmanship. Warranty not offered on breakaway goals placed outdoors, or if used in a way not intended.

Shipping weight: 25 lbs.

[View Spec Print](#)