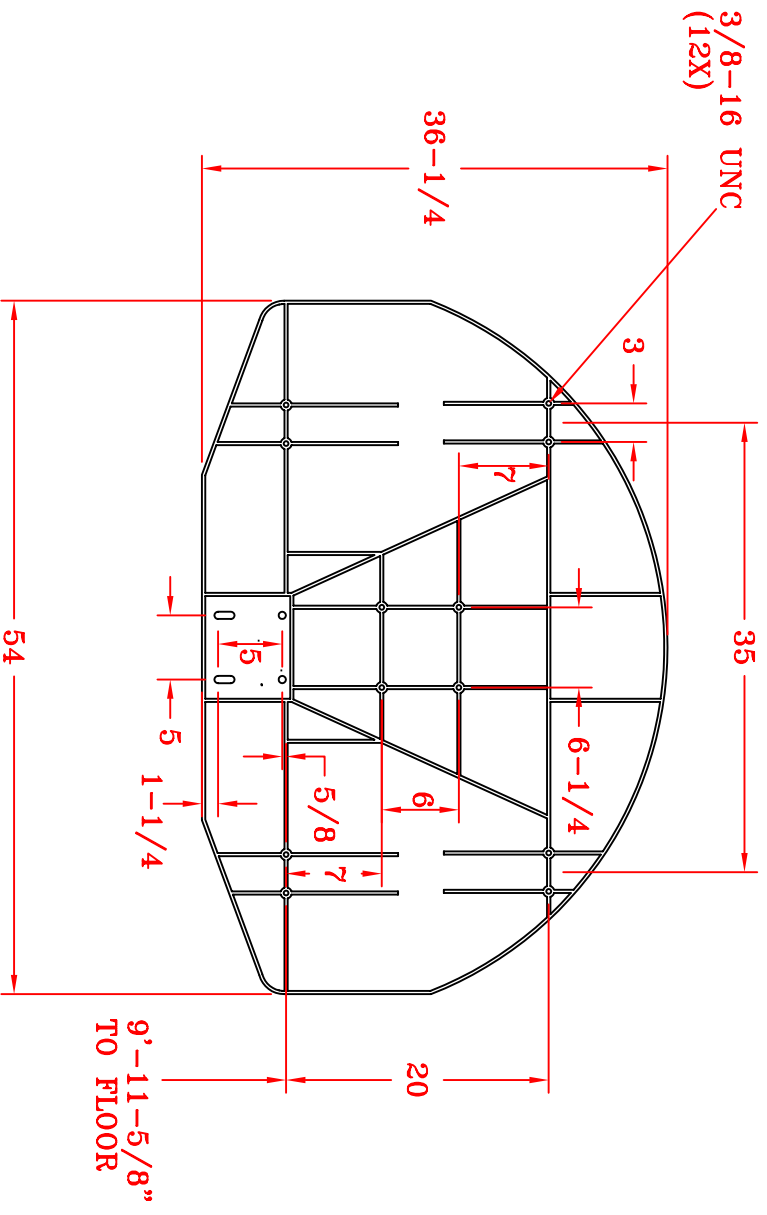


SPALDING®

**Aluminum Fan Backboard
Model # 413-220 - 413-222**



ALUMINUM FAN BACKBOARD

DO NOT SCALE

PART# 0413220/0413221/0413222



SPALDING SPECIFICATIONS

DATE: 01/01/06

MODEL NUMBER: 413220-413222

DESCRIPTION: Aluminum Fan Backboard

SPECIFICATIONS:

Backboard shall have a finished regulation size of 54" x 39".

Backboard shall be made from a permanent mold cast aluminum alloy with minimum thickness of 3/16" and is reinforced with flanges for extra rigidity. Ribs and edge are 1-1/2" deep, with cast-in mounting holes.

The finish shall be brushed aluminum on model #0413220. Model #0413221 AB1-PC shall be electrostatically powder coated white. Model #0413222 AB1-PC w/Target shall include an orange target.

Weather resistant.

The board shall have a 35" x 20" mounting pattern and a goal mounting pattern of 5" x 5".

The board shall have a 1-year warranty. The warranty is extended to lifetime for direct mounts. Practice, game, intramural and recreational play are covered. Vandalism and acts of Nature are not covered.

SHIPPING WEIGHT: 45 lbs.