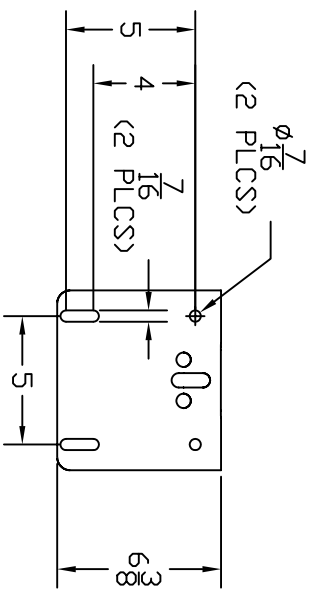
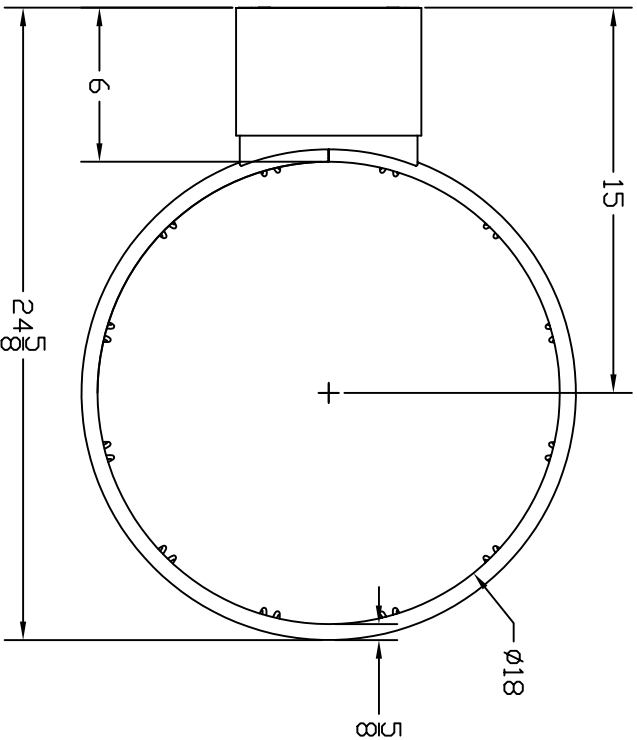
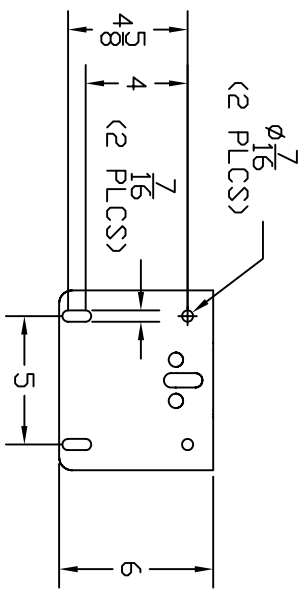


SPALDING®

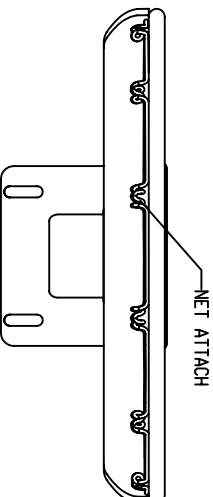
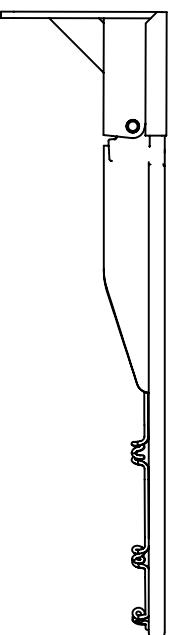
Slam-Dunk Goal
Model # 411-501 & 411-505



GOAL MOUNTING PATTERN



GOAL MOUNTING PATTERN - SHORT BOARD



Slam Dunk Goal

DO NOT SCALE

MODEL # 0411501, 0411505 (SHORT BOARD)



SPALDING SPECIFICATIONS

DATE: 01/01/06

MODEL NUMBER: 411501 & 411505

DESCRIPTION: Slam-Dunk Goal

SPECIFICATIONS:

Competition goal shall be designed to absorb shock loads due to "dunking" or hanging on the goal.

Goal shall incorporate a positive lock system to automatically release and pivot downward when excessive loads are put on the ring. Goal shall be spring loaded to return to the original position. The goal design shall allow spring preload to be adjusted to compensate for wear and customize performance.

Rim shall be made of 5/8" cold rolled steel formed to make an 18" inside diameter ring with a 600 lb. bend strength.

Goal shall have a wrap around brace over 50% of the ring circumference for maximum strength.

Goal shall meet all NBA and NCAA requirements including Rebound/Elasticity requirements as specified in Rules Supplement, Section 9 on BR-22.

Goal shall have continuous "ram horn" style ties for easy net installation.

Goal shall have two mounting patterns offered (5" x 5" and 5" x 4") for attachment to any backboard with these mounting patterns.

Goal shall be electrostatically powder coated orange.

Mounting hardware and anti-whip net included.

Goal shall have a 5 year warranty. Covers the breakaway mechanism and ring from defects in workmanship. Warranty not offered on breakaway goals placed outdoors, or if used in a way not intended.

Shipping weight: 25 lbs.

[View Spec Print](#)